

THIS DRAWING IS UNPUBLISHED.

RELEASED FOR PUBLICATION

2008

© COPYRIGHT 2008 BY -

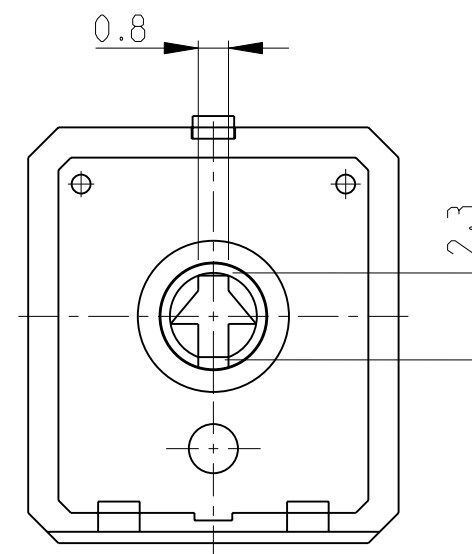
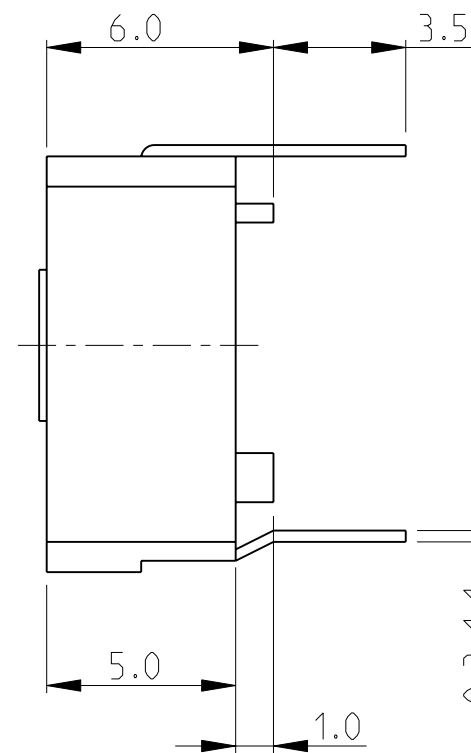
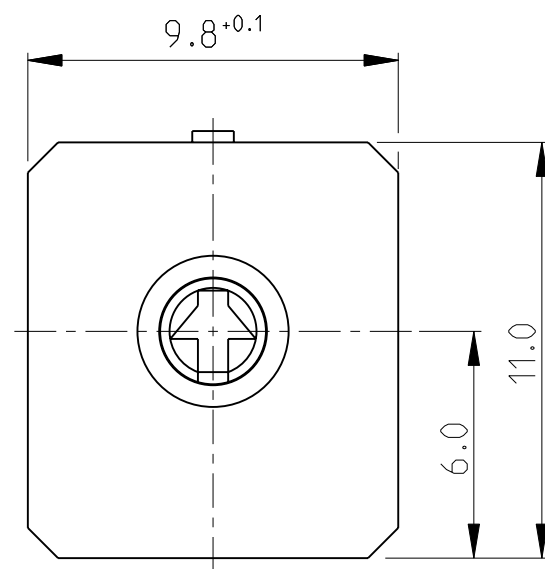
ALL RIGHTS RESERVED.

LOC E DIST B

REVISIONS

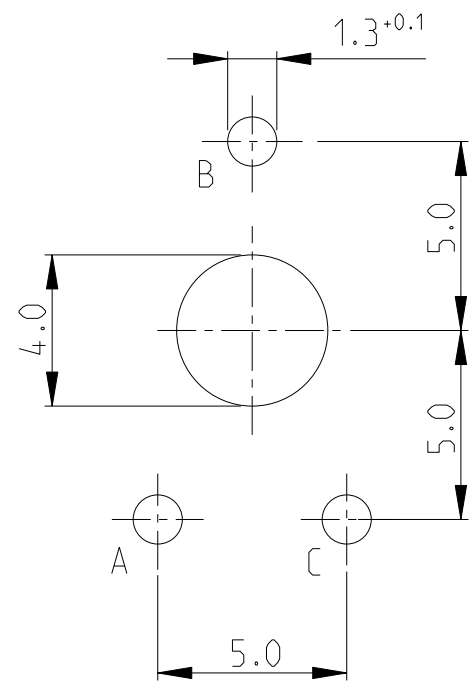
P	LTR	DESCRIPTION	DATE	DWN	APVD
	BA1	REVISED PER ECO-11-005150	28MAR2011	RK	HMR

CB10LV AS SHOWN

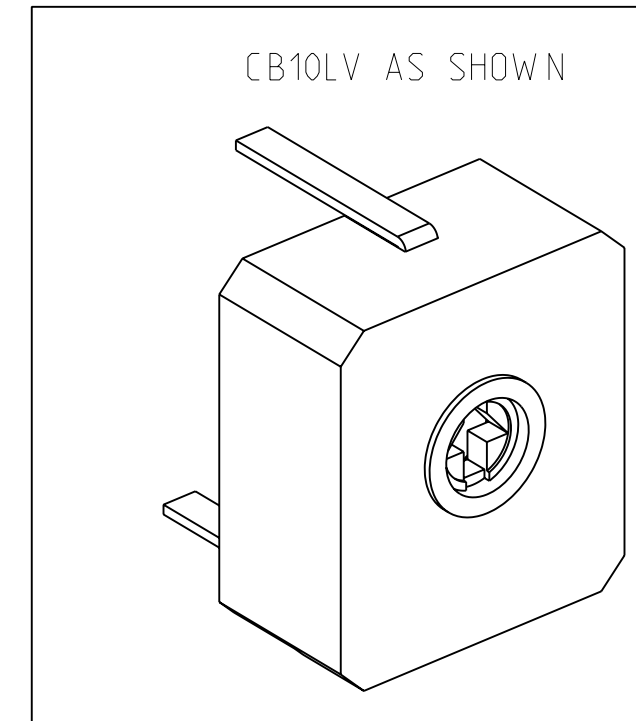


FOR FURTHER INFORMATION SEE DATA SHEET FOR CB10 SERIES-CARBON ECONOMY TRIMMERS

RECOMMENDED PCB PATTERN



RoHS Compliant



THIS DRAWING IS A CONTROLLED DOCUMENT.		DWN	SUBHASH.M	17-SEP-08
DIMENSIONS: mm		CHK	PRAKASH.S	17-SEP-08
TOLERANCES UNLESS OTHERWISE SPECIFIED:		APVD	STEPHEN.P	17-SEP-08
0 PLC	± 0.5	NAME		
1 PLC	± 0.2	CARBON ECONOMY TRIMMERS		
2 PLC	± 0.1	SERIES CB10 LV		
3 PLC	± -	PRODUCT SPEC	-	
4 PLC	± -	APPLICATION SPEC	-	
ANGLES	± 5°	WEIGHT	-	
MATERIAL	-	FINISH	-	



SIZE	CAGE CODE	DRAWING NO	RESTRICTED TO
A3	00779	1630480	-
CUSTOMER DRAWING		SCALE	SHEET 1 OF 1
		5:1	REV BA1